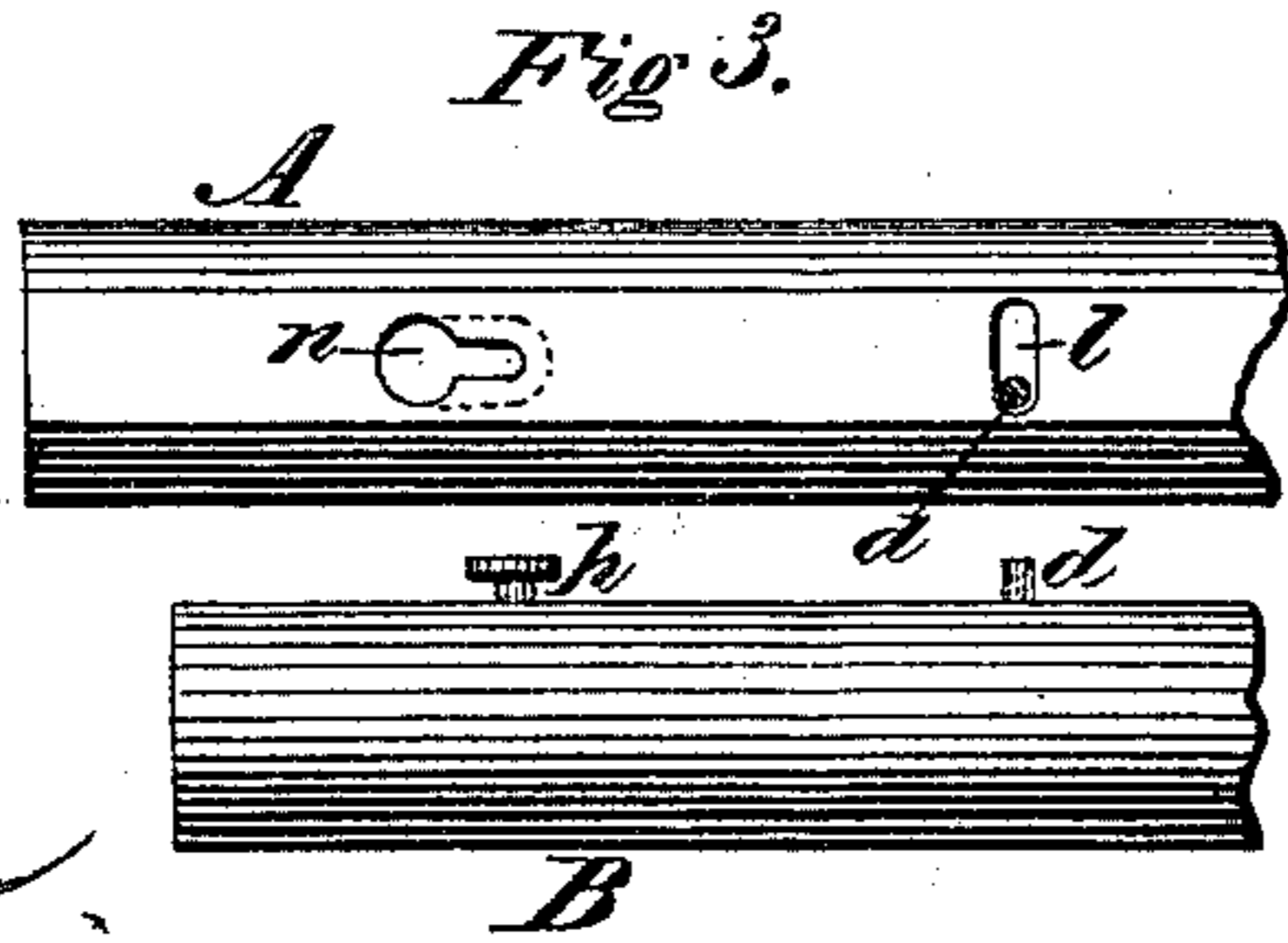
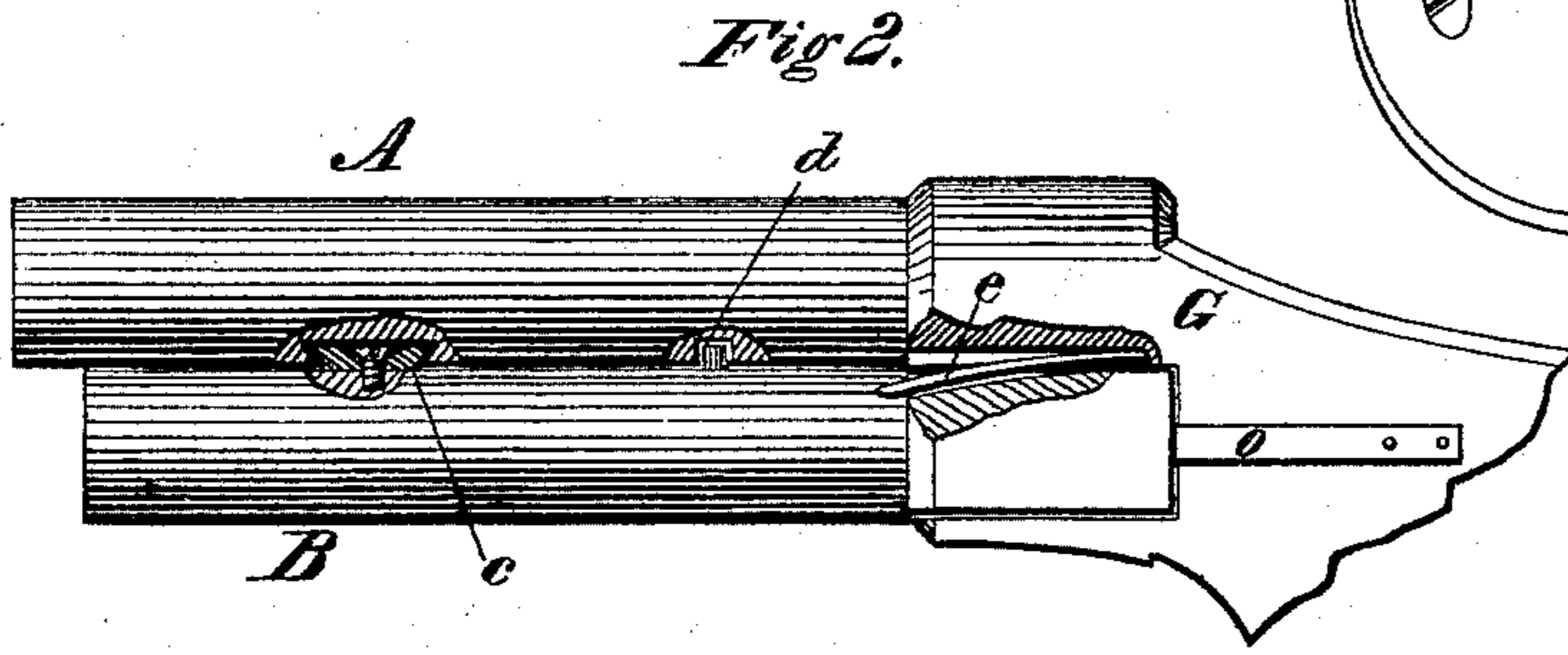
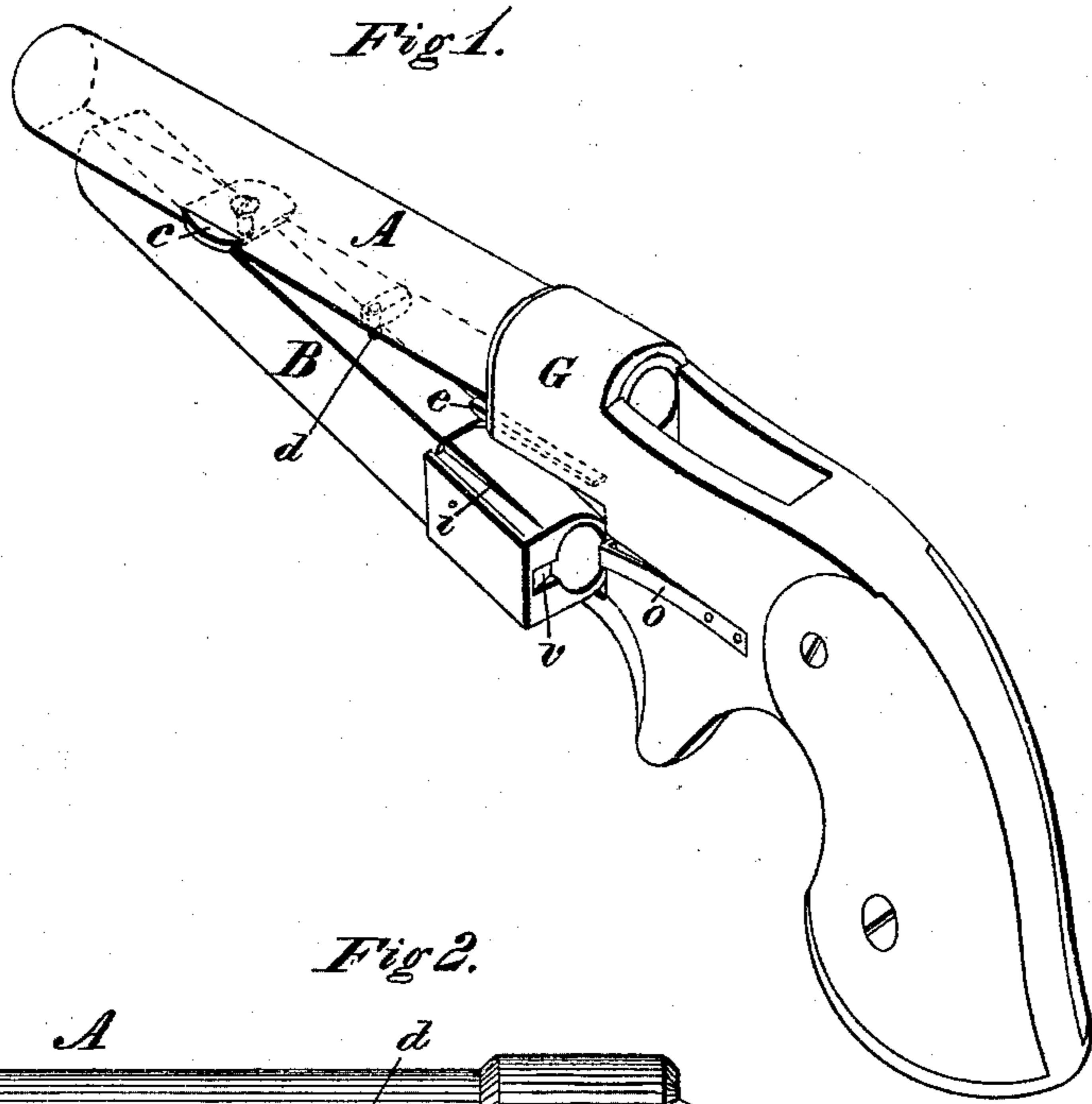


J. RIDER.
Magazine Fire-Arms.

No. 141,590.

Patented August 5, 1873.



Witnesses.

Harry King.
H. L. King

Inventor.

Joseph Rider
by Dodge & Son
Atty.

J. RIDER.
Magazine Fire-Arms.

No. 141,590.

Patented August 5, 1873.

Fig 4.

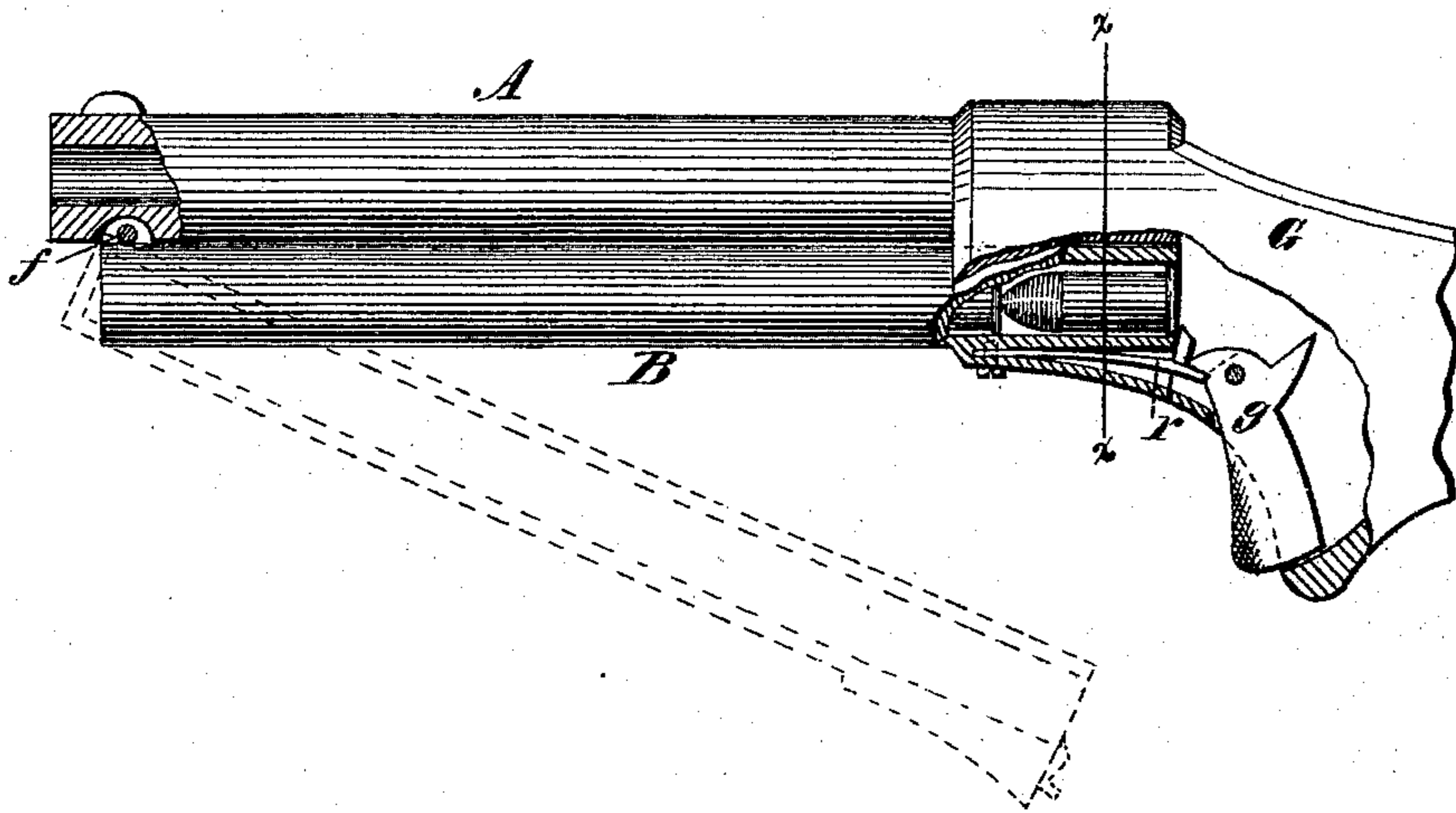


Fig 5.

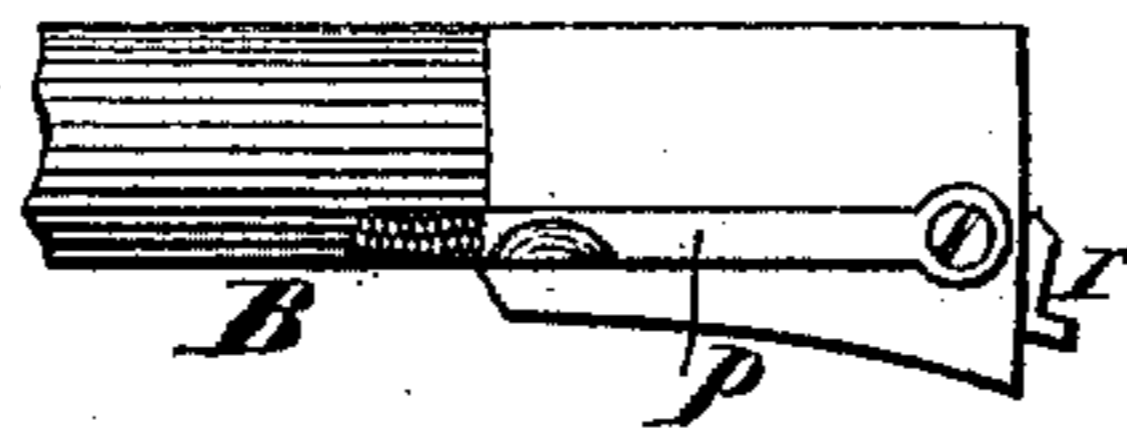


Fig 6.

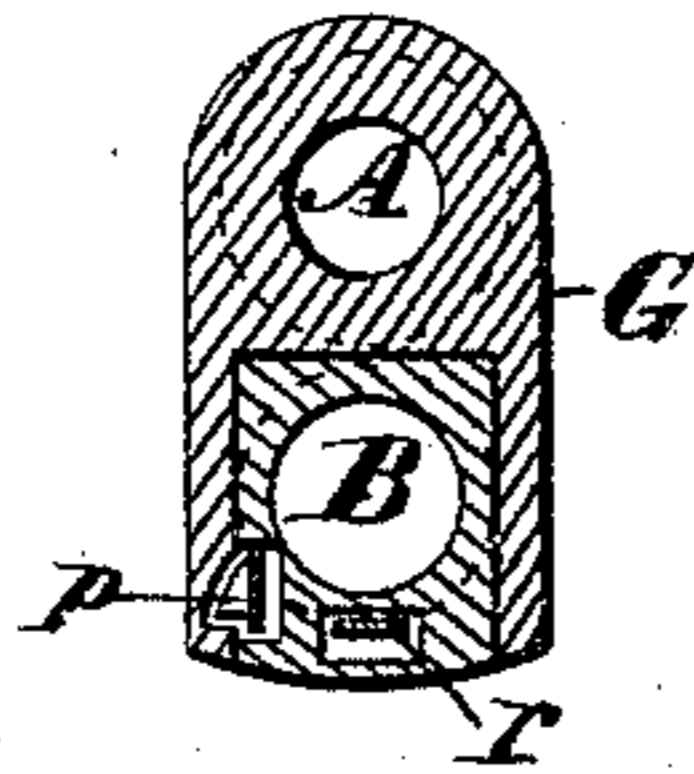
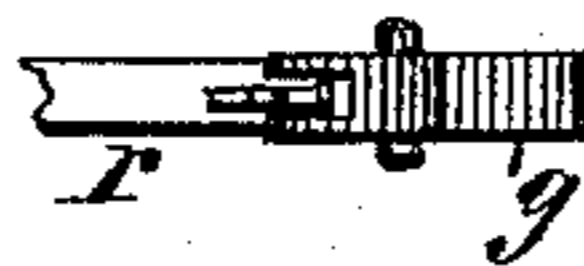


Fig 7.



Witnesses.

Harry King.
H. L. King

Inventor.

Joseph Rider,
by Dodgson
Atty.

UNITED STATES PATENT OFFICE.

JOSEPH RIDER, OF NEWARK, OHIO.

IMPROVEMENT IN MAGAZINE FIRE-ARMS.

Specification forming part of Letters Patent No. 141,590, dated August 5, 1873; application filed April 14, 1873.

To all whom it may concern:

Be it known that I, JOSEPH RIDER, of Newark, in the county of Licking and State of Ohio, have invented certain Improvements in Magazine-Guns, of which the following is a specification:

My invention consists in hinging the magazine or tube that contains the cartridges to the barrel of a gun or pistol in such a manner that the magazine can be opened by swinging its end away from the arm, either vertically or laterally, and in certain details connected therewith, all as hereinafter more fully explained.

Figure 1 is a perspective view, and Fig. 2 a side elevation, of one form; Fig. 3, a view of parts detached. Fig. 4 is a side elevation of the arm with the magazine hinged to swing vertically, and Figs. 5, 6, and 7 are detailed views of portions of the arm.

In the accompanying drawings, A represents the barrel, and B the magazine, of the arm. The magazine B I pivot or hinge to the under side of the barrel A so as to swing laterally, as shown in Figs. 1 and 2, or to swing vertically, as shown in Fig. 4. In the former case the magazine may be attached in various ways. I have shown it pivoted to a slide, *c*, that is fitted into a dovetail recess cut in the under side of the barrel. I also cut a transverse groove, *l*, in the under side of the barrel, in rear of the pivot, and fit a pin, *d*, in the top of the magazine to enter and move in the groove *l* to serve as a stop to limit the movement of the magazine, the groove and pin being shown clearly in Fig. 3.

Another method of hinging the magazine is shown in Fig. 2, where, instead of the slide *c*, a screw, *h*, is secured to the magazine, and fitted into a recess, *n*, which has a portion undercut, as shown by the dotted line in Fig. 3, for the head of the screw *h* to engage in, and thus hold the magazine to the barrel and act as a pivot for it to turn on. The undercut recess may be in front or rear, and the slot or groove *l* must be so made as to permit the stop to enter it at one side on an incline, and let the magazine be moved to the proper position to have the screw *h* enter its recess *n*, after which the magazine will be moved either forward or back as the undercut portion may be in front or rear, when the stop *d* will be in

position in the transverse groove *l*; or, as is obvious, a hole may be bored in the lower side of the magazine, through which a screw may be introduced and inserted through a smaller hole on its upper side, and screwed into a hole in the barrel to serve as a pivot, the larger hole being filled up afterward, if desired.

When the magazine is hinged to move laterally, as in these cases, the side of the receiver or frame G of the arm has a recess cut in its side, as shown in Figs. 1 and 2, for the rear end of the magazine to fit into. In the upper side of this rear portion of the magazine I cut a notch, *i*, and arrange a spring-catch, *e*, in the frame to engage in said notch, and lock the magazine fast when closed, as shown in Figs. 1 and 2. Another spring, *o*, is secured in a recess in the side of the frame G in such a manner that when the magazine is open the front end of said spring *o* will serve as a stop to hold the cartridges in the magazine, it yielding to permit fresh cartridges to be shoved past it into the rear open end of the magazine B. An incline or recess, *v*, is cut in the rear end of the magazine, as shown in Fig. 1, for the front end of spring *o* to rest in, the parts being so arranged that when the magazine is closed the spring *o* is held in even or flush with the side of the frame.

In Fig. 4 I have represented the magazine hinged, by an ear, *f*, to the barrel in such a manner as to permit its rear end to be swung down, as indicated by the dotted lines. In this case the frame G will be recessed underneath, instead of on its side, to permit the rear end of the magazine to enter it, as shown in section in Fig. 6. When thus arranged the locking-spring *p* may be attached to the side of the magazine, as shown in Fig. 5, and be arranged to engage in a notch on the inner face of the frame G, as shown in Fig. 5. A stop-spring, *r*, is also attached to the magazine near its rear end, with a projection or lip which projects slightly up into the magazine, as shown in Fig. 4, this lip being inclined on its upper or rear face to permit cartridges to be inserted easily into the magazine, it serving to hold them there when inserted. In order to get this lip out of the way, so as to let the cartridges pass by it into the carrier, which will be located at the rear of the magazine in

the frame as usual, I construct the trigger *g* with a nose that rests upon the rear end of the spring *r*, as shown in Fig. 4, and detached in Fig. 7, so that every time the trigger is pulled the spring-stop *r* is depressed, and a cartridge thereby allowed to pass by it into the carrier.

Any suitable form of lock and carrier mechanism may be used in connection with the arm, (these parts not being shown,) as my invention relates solely to the magazine and its connections.

Having thus described my invention, what I claim is—

1. A magazine-gun having its magazine or cartridge-holder B hinged or pivoted to the arm, substantially as described, whereby the magazine is opened by swinging it bodily away from the arm so as to expose its open end, as set forth.

2. The magazine B, pivoted to the slide *c*, the latter being fitted in a dovetailed groove, and the stop *d*, all arranged to operate substantially as described.

JOSEPH RIDER.

Witnesses:

J. B. PELTON,
NATHAN BRAND.